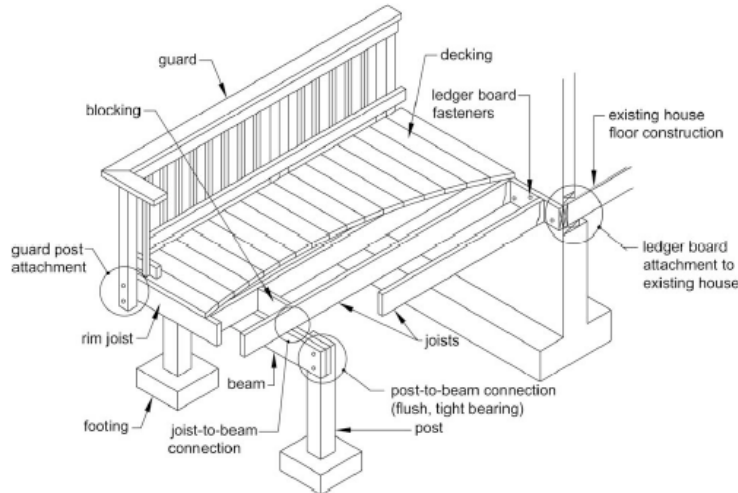


Residential Deck Construction Details

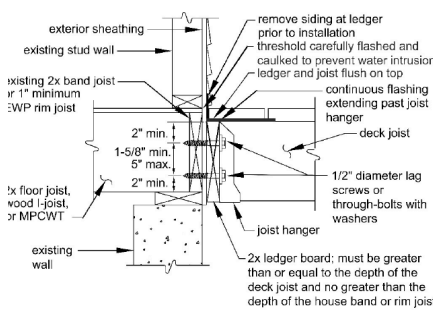
1. The following details are taken from the American Wood Council's Deck Building Guide (2015) and the International Residential Code (IRC 2015/2018). Details not found in the noted sources are recommended as good industry practice. **As this is a guide only, contact the authority having jurisdiction for additional requirements or modifications to the following information.**
2. All lumber shall be pressure treated or naturally resistant to decay. All framing hardware and fasteners (joist hangers, nails, anchors, mechanical fasteners, etc.) shall resist corrosion.
3. Decks supporting uniform live loads exceeding 40 psf, large concentrated loads such as hot tubs, or roofs need to be designed by a licensed engineer.
4. Alternative construction materials or methods not recognized by the PAUCC shall be evaluated by the ICC Evaluation Service, Inc. or by other accredited agency. Manufacturer's installation instructions and evaluation reports shall be submitted for review prior to use.

DECK TERMS

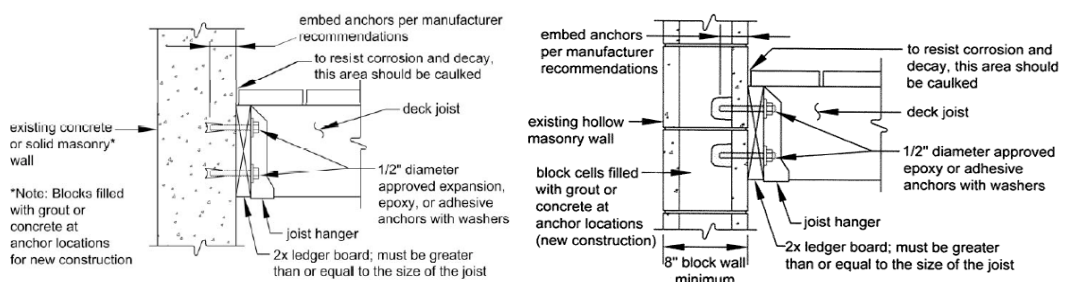


LEDGERS

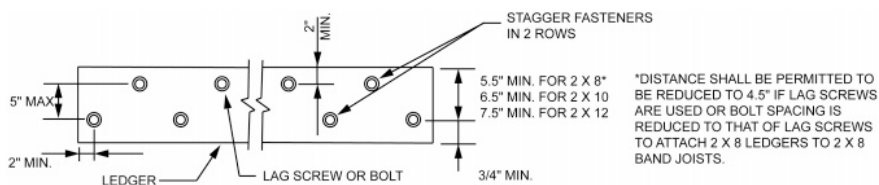
CONNECTION TO BAND/RIM JOIST



CONNECTION TO CONCRETE/MASONRY WALL

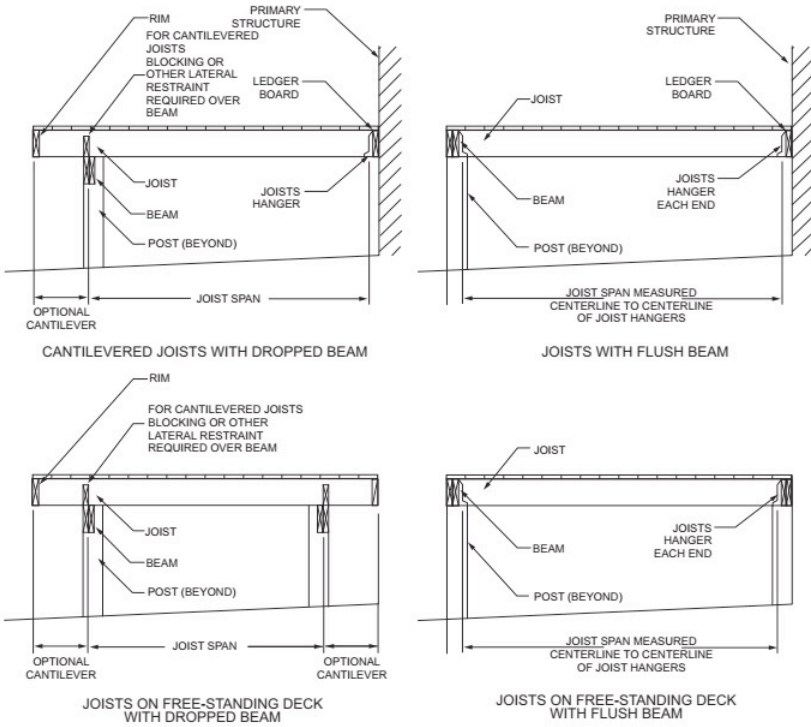


FASTENER SPACING DETAIL

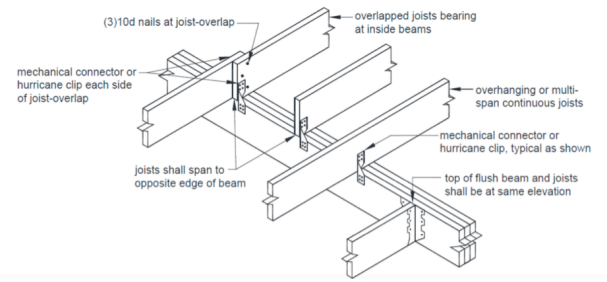


JOISTS

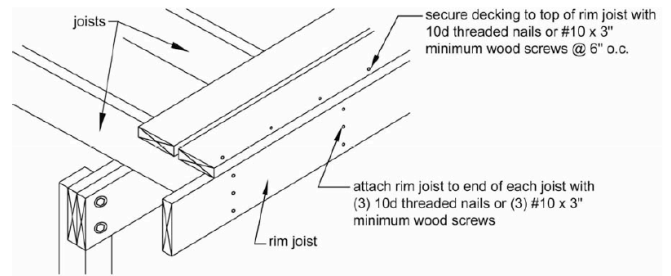
TYPICAL JOIST LAYOUTS



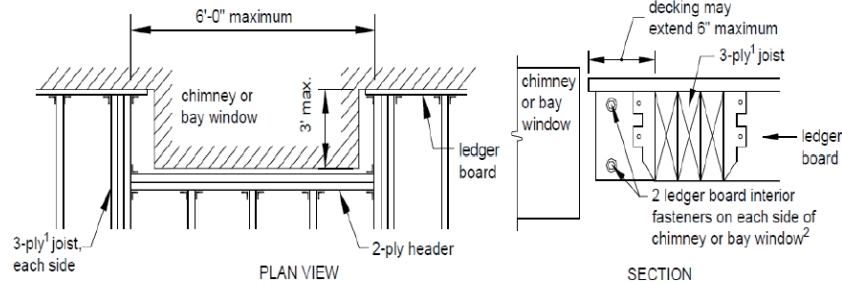
JOIST TO BEAM CONNECTION



RIM JOIST CONNECTION

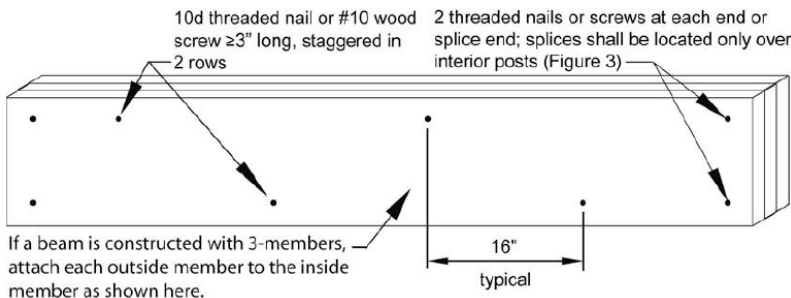


FRAMING AT CHIMNEY OR BAY WINDOW

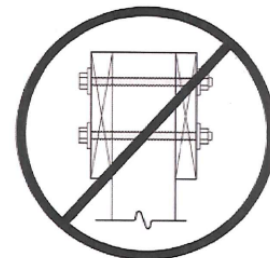


BEAMS

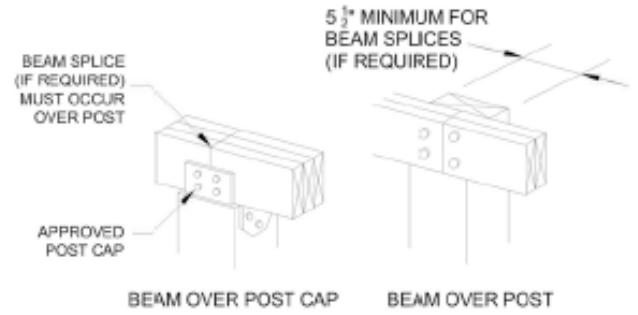
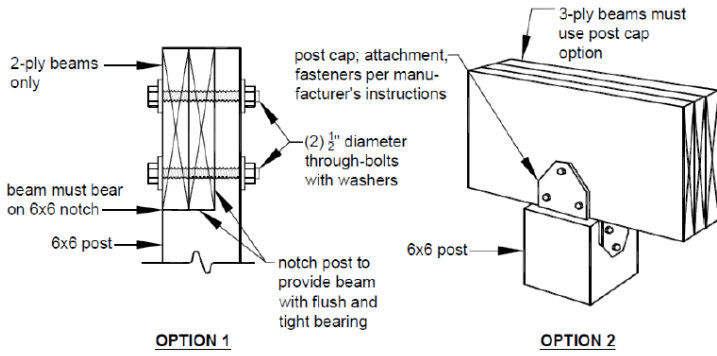
BEAM ASSEMBLY DETAIL



BEAM TO POST CONNECTION DETAIL

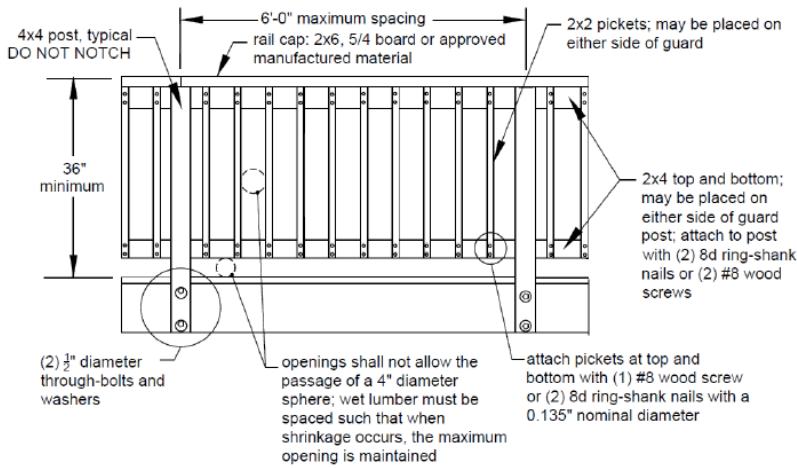


BEAM TO POST CONNECTION DETAILS

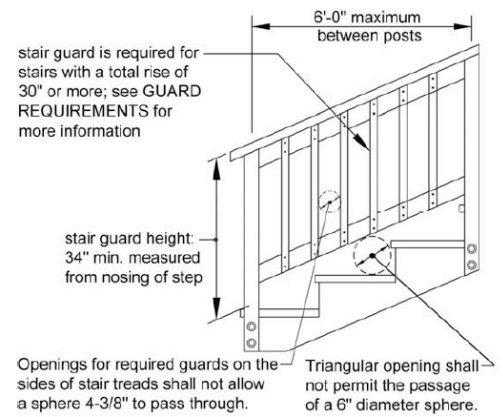


GUARDS

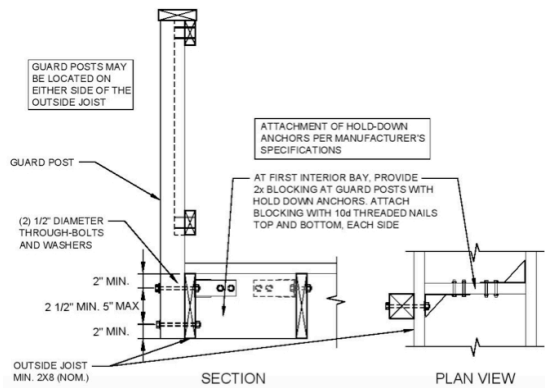
GENERAL



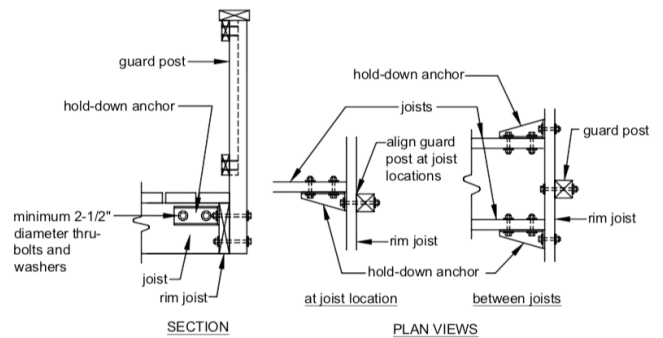
STAIRS



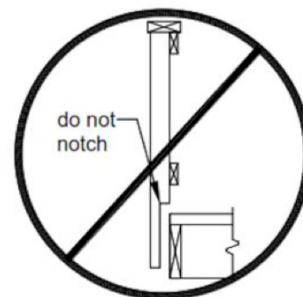
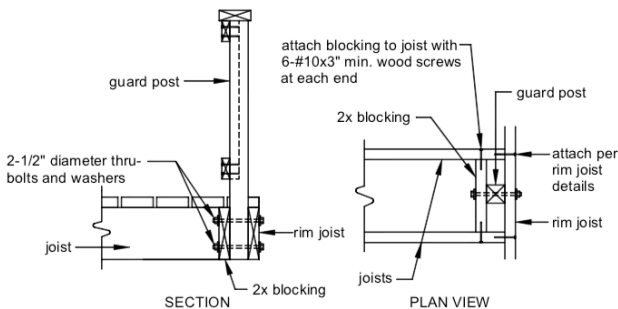
GUARD POST MOUNTED TO EXTERIOR SIDE OF JOIST



GUARD POST MOUNTED TO EXTERIOR SIDE OF RIM JOIST

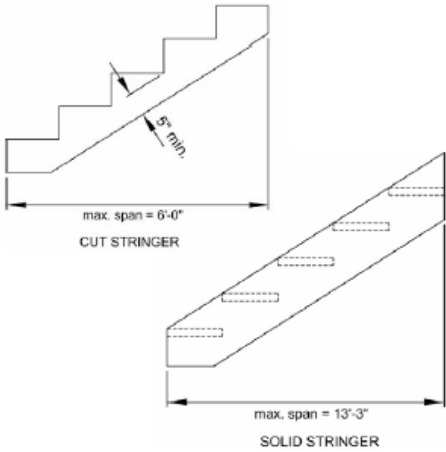


GUARD POST MOUNTED TO INTERIOR SIDE OF RIM JOIST

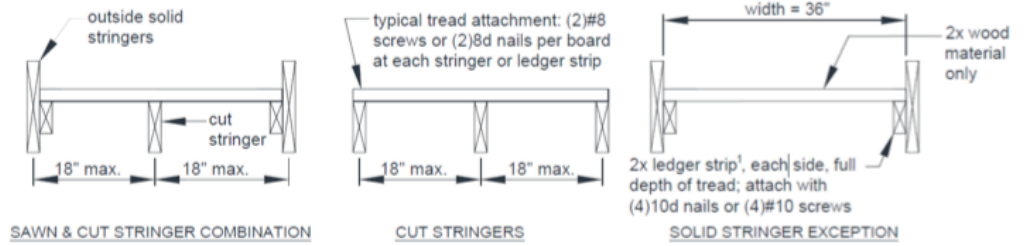


STAIRS

STAIR STRINGERS

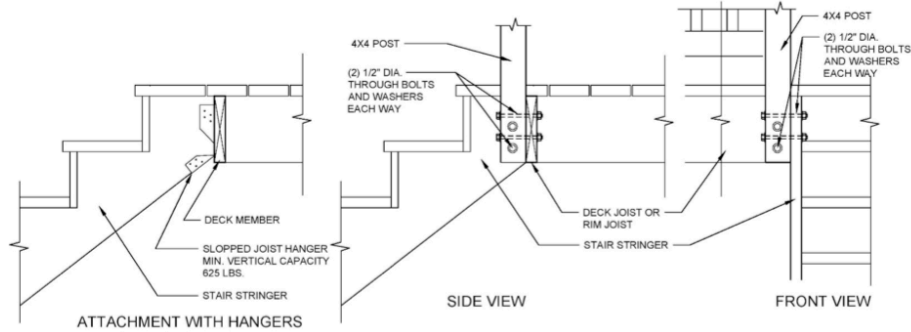


TREAD CONNECTIONS

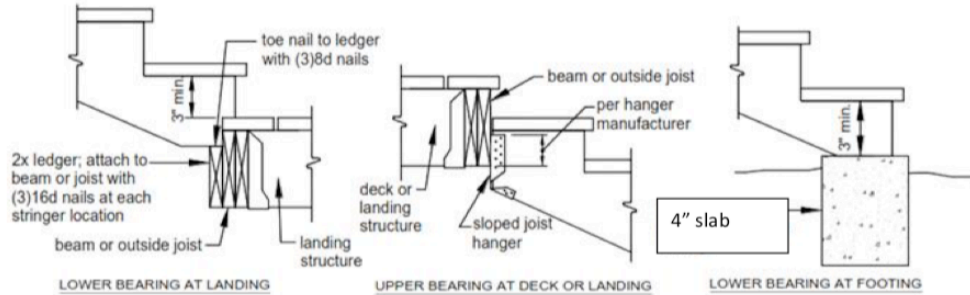


¹ A galvanized staircase clip angle, installed per manufacturer's instructions, is permitted to substitute for the 2x ledger strip.

STAIR STRINGER CONNECTIONS

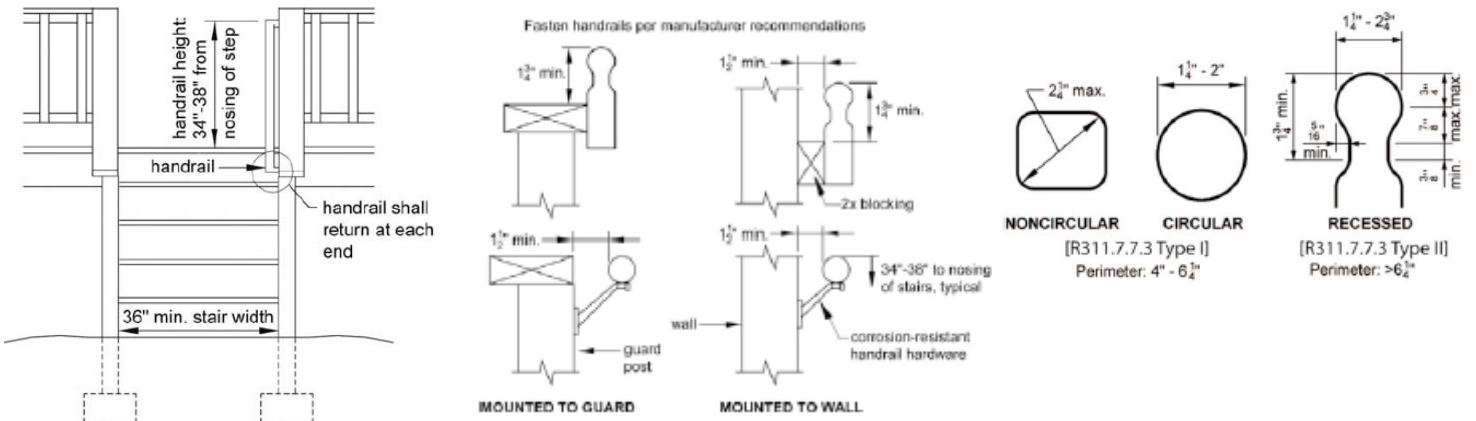


STAIR STRINGER CONNECTIONS AT LANDINGS



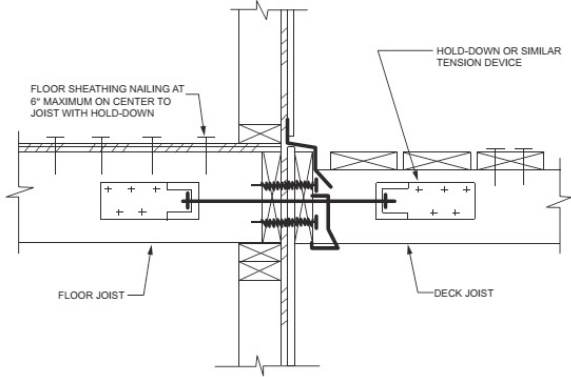
HANDRAILS

HANDRAIL MOUNTING AND GRIP REQUIREMENTS



LATERAL LOAD REQUIREMENTS

1,500 POUND CONNECTOR INSTALLATION



750 POUND CONNECTOR INSTALLATION

